

2.1.5 StarLite

Low Cost Laser Power / Energy Meter

- Compatible with all standard Ophir Thermal, BeamTrack, Pyroelectric (PE-C series only) and Photodiode sensors
- Brilliant large size TFT 320x240 display
- Compact handheld design with rubberized bumpers and optimized kickstand
- Choice of digital or analog needle display
- Select between English, Japanese, Russian and Chinese interfaces
- Analog output
- Easy to use soft keys
- Easy measurement configuration with context sensitive help
- Backlighting and rechargeable battery
- Single shot energy measurement with thermal sensors
- Power averaging
- Resizable Screen graphics
- EMI rejection
- Optional software package for USB communication with our StarLab PC suite. For USB options see "Ordering Information" table in the next page



StarLite is a low cost power / energy meter capable of measuring power or energy from pJ and pW to hundreds of Joules and thousands of Watts. It also supports position and size measurement with the BeamTrack family of sensors. StarLite can also display the power or energy with a high resolution simulated analog needle display.

All StarLite measurement screens can be configured to either show the measurement parameters or to hide them in order to maximize the graphical and numeric displays. StarLite can be operated either by battery or from an AC source with the charger plugged in at all times. Its backlight allows illumination of the power meter in low light conditions.

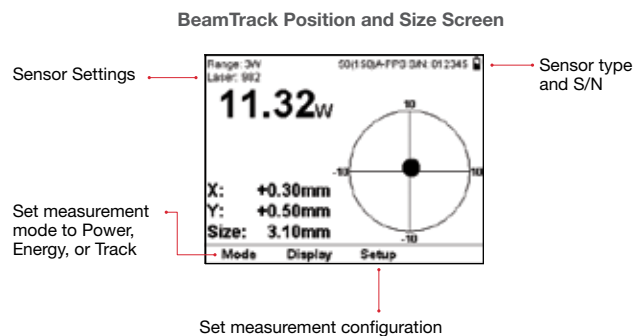
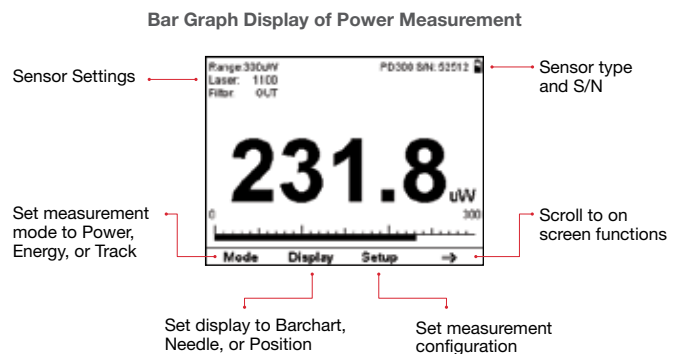
Selected Screens

Digital Power Screen

- CW industrial, medical and scientific lasers
- pW to Multi kW with appropriate sensors
- Can average over selected period. Useful for unstable lasers
- Fast response bar graph

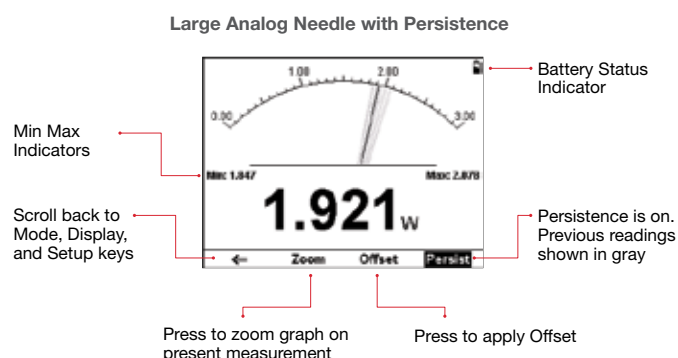
BeamTrack Power/Position/Size Screen

- Monitoring of laser beam size
- Accurate tracking of beam position to fractions of a mm
- Power measured at the same time



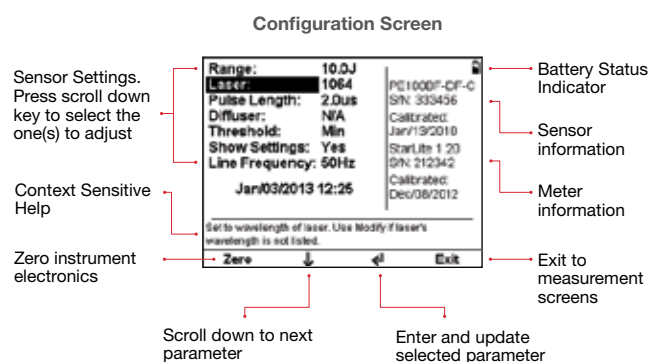
Analog Needle Screen

- Perfect for adjusting and maximizing laser power or energy
- Persistent graphical display allows tracking of minimum maximum values measured
- Large analog needle with small digital display as well



Configuration Screen

- Easy adjustment of all measurement configuration parameters
- Context sensitive help for selected parameter
- Sensor and meter information provided



Specifications

Power Meter	High legibility TFT 320 x 240 pixel graphics LCD. Large 16mm digits. High resolution analog needle also can be chosen.
Features	Power, single shot energy, energy and frequency of high rep rate lasers, position, and size.
Outputs	1V Full Scale analog output.
Screen Refresh	15 times/sec
Case	Molded high impact plastic with optimized angle kickstand. Rubberized sides for easy grip and protection against damage.
Size	Folds to a compact 211mm L x 114mm W x 40mm H
Battery	Rechargeable Li-ion batteries with typically 8 hours between charges. The charger can be ordered from your local distributor. The charger also functions as an AC adapter.
Sensor Features	Automatic continuous background cancellation with PD300 sensors. Submicrojoule and multikilohertz capability with pulsed energy sensors.
Sensor Compatibility	Works with standard Thermopile, BeamTrack, Photodiode and Pyroelectric (PE-C series) ^(a) sensors. Works with our PD300RM sensors.
Compliance	CE, UKCA, China RoHS

Note: (a) Not including BC20 and PD300-CIE sensors

Ordering Information

Item	Description	Ophir P/N
StarLite	StarLite universal power meter for Thermal, BeamTrack, Pyroelectric and Photodiode sensors	7Z01565
StarLite with USB enabled	StarLite universal power meter with USB enabled	7Z01569
StarLite USB Activation Code	Software Activation Code that enables the StarLite meter to communicate in USB with our StarLab software suite	7Z11049
Carrying Case	Carrying case 38x30x11 cm. For power meter and up to 3 sensors	1J02079
USB Cable for StarLite	USB-A to MICRO-B cable (1 unit supplied with StarLite)	7E01279
Battery Pack for StarLite	Replacement battery pack for the StarLite	7E14008
P Polarity Power Supply/Charger	Power Supply/Charger AC/DC 12V 2A P-1.35x3.5 (1 unit supplied with StarLite)	7E05047
Standard Analog Output Connector	2.5mm mono jack (1 unit supplied with StarLite)	7E02008